



HUBER+SUHNER® PLANAR ANTENNA FOR WIRELESS COMMUNICATION



SPA 1800/85/7/0/V

Technical Data

Electrical Properties

Frequency range	1710 - 1880 MHz
Impedance	50 Ω
VSWR	1.7
Polarization	linear, vertical
Gain	7.0 dBi
3 dB beamwidth horizontal	85°
3 dB beamwidth vertical	65°
Downtilt	0°
Front to back ratio	15 dB
Max. power	75 W (CW) at 25°C

Mechanical & Environmental Properties

Dimensions	101 x 95 x 32 mm (3.98" x 3.74" x 1.26")
Weight	0.11 kg (0.24 lbs.)
Radome material	ASA
Radome colour	RAL 7035 (light grey)
Mounting socket material	ASA
Mounting socket colour	RAL 7042 (dark grey)
Back/base plane material	aluminium
2002/95/EC (RoHS)	compliant
Operating temperature range	- 40°C to + 80°C
Storage temperature range	- 40°C to + 80°C
Windload	15 N at 160km/h (100mph)

Available Types

Available Types	Article no.	
1318.17.0014	22651196	N female pigtail (RG 58 C/U, 0.3 m)

Wall mounting material included.

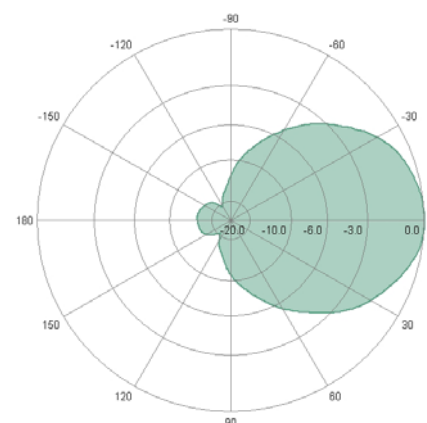
Mounting Hardware

Mounting Hardware	Article no.	
9091.99.0029	22649576	mast mounting accessory
9091.99.0080	22652651	mast mounting and sidetilt accessory

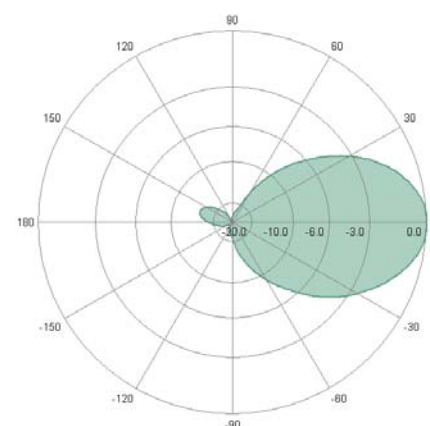
Documents

01.02.0777	security instruction
01.02.1509	mounting instruction

Radiation Pattern



horizontal



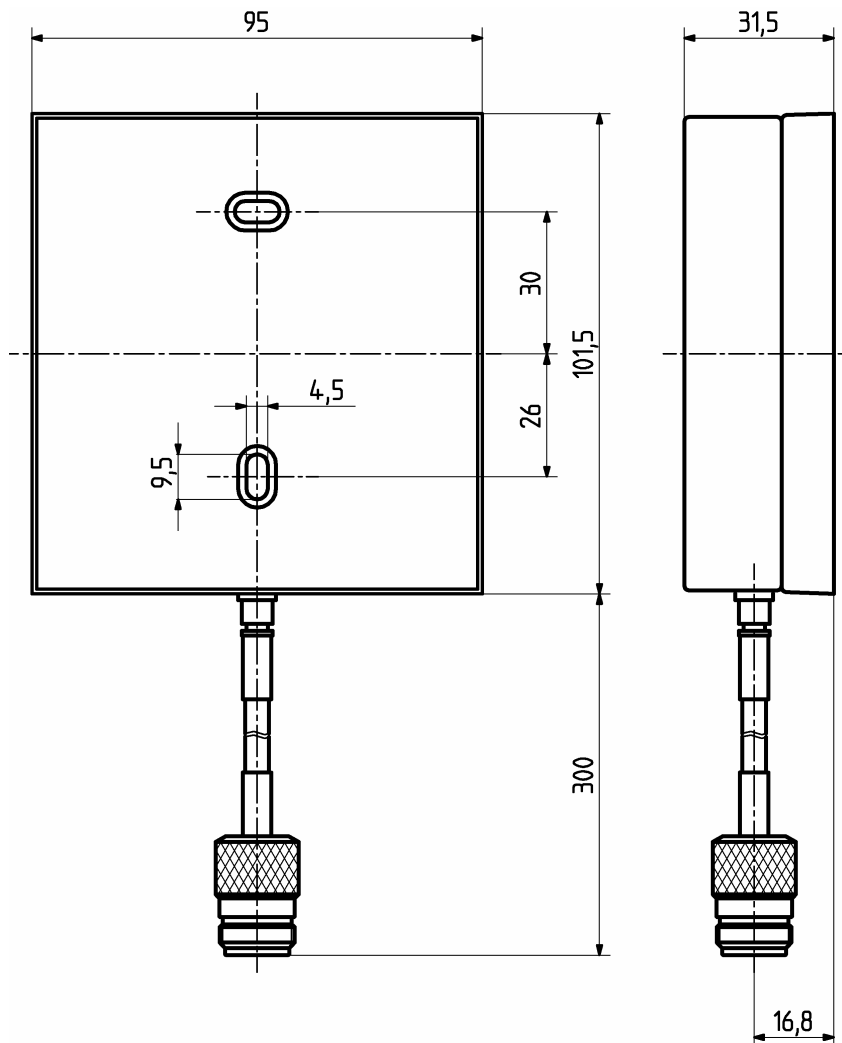
vertical



HUBER+SUHNER® PLANAR ANTENNA FOR WIRELESS COMMUNICATION

SPA 1800/85/7/0/V

Dimensions (mm)



HUBER+SUHNER is certified according to ISO 9001 and ISO 14001

WAIVER!

It is exclusively in written agreements that we provide our customers with warrants and representations as to the technical contained specifications and/or the fitness for any particular purpose. The facts and figures herein are carefully compiled to the best of our knowledge, but they are intended for general informational purposes only.

HUBER+SUHNER – Excellence in Connectivity Solutions

Document no.: 01.02.0846
Issue no.: 7
Supersedes: 07.2006

Uncontrolled Copy

Issued/Checked/Released:
Last amended:

4159/4417/09.2002
4417/07.2006



HUBER+SUHNER AG

RF Technology

9100 Herisau, Switzerland

Phone +41 (0)71 353 41 11

Fax +41 (0)71 353 47 51

www.hubersuhner.com