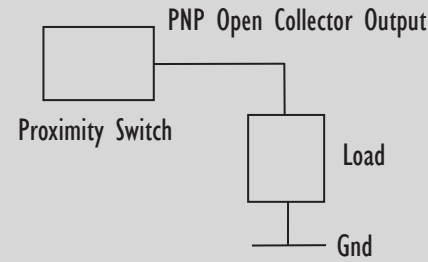
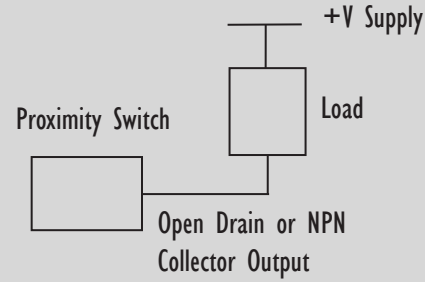


ELECTRONIC PROXIMITY SWITCHES

We currently have electronic proximity switches that use two different methods of detection, Hall Effect and GMR. Being electronic sensors they do not have the advantage of voltage free switch contacts but they do have a range of electronic outputs to suit most requirements, including TTL Logic, Open collector and Open Drain. One of the benefits of Electronic Proximity Switches is that LED indicators can be incorporated into the unit to enable visual indication of the switch operation. GMR (Giant Magneto Resistive) Proximity Switches are more sensitive to magnetic fields and therefore have a greater switching distance. Open Drain and NPN open collector switches require the load to be connected to the supply voltage, as shown below.



PNP open collector switches require the load to be connected to ground

MOSFET output versions are suitable for switching higher current loads. Gear tooth sensors have the magnet within the housing and the output is switched by the proximity of ordinary ferrous material. Ideal for counting the teeth on a gear cog or flywheel. The PSS-S3-P2A0 GMR sensor is available with either TTL Logic output or high power MOSFET output and the option of inverting the output. With its greater switching distance it makes it a very versatile proximity switch.

The Comus International group of companies consists of:



Comus International
454 Allwood Road
Clifton
New Jersey 07012
U.S.A

Tel: (1)973 - 777 - 6900
Fax: (1)973 - 777 - 8405
email: info@comus-intl.com
internet: <http://www.comus-intl.com>



Assemtech Europe Limited
Unit 7, Rice Bridge Industrial Estate
Thorpe - Le - Soken
Essex
England
CO16 0HL
Tel: +44 (0)1255 862236
Fax: +44 (0)1255 862014
email: sales@assemtech.co.uk
internet: <http://www.assemtech.co.uk>



Comus Belgium BVBA
Overhaamlaan 40
B-3700 Tongeren
Belgium

Tel: +32 (0)12 390400
Fax: +32 (0)12 235754
email: info@comus.be
internet: <http://www.comus.be>



Comus International SARL
Immeuble 'Les Juilliottes'
31 Cours des Juilliottes
F-94700 Maisons-Alfort
France

Tel: +33 (0)1 43 96 86 10
Fax: +33 (0)1 43 96 86 11
email: info@comus.fr
internet: <http://www.comus.fr>



Switching Technologies Gunther
B-9, B-10, & C-1 Special Economic Zone (MEPZ)
Kadapperi
Tambaram
Chennai 600 045
India
Tel: +91 44 22628093
Fax: +91 44 22628271
email: stg ltd@eth.net



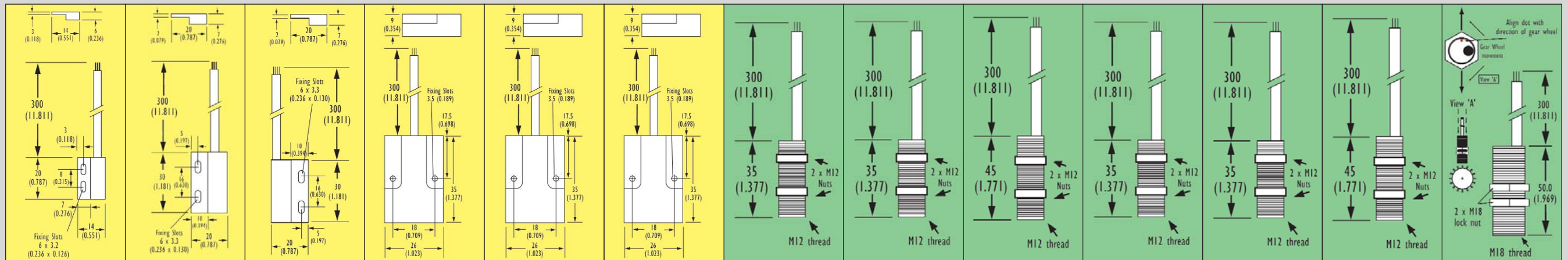
Comus Electronics India
No 74A Anbu Street
Gandhi Nagar
Ekkattuthangal
Chennai 600 097
TamilNadu
India
Tel: +91 44 22628198
Fax: +91 44 22628271
email: chitra@comus-intl.com
internet: <http://www.comusindia.com>

Electronic Proximity Switches



We also have a large network of worldwide agents. These can be seen on any of our websites, or on our company profile brochure.

ELECTRONIC PROXIMITY SWITCHES



Options / Features	• Reduced cost version of PSS-S3-P2A0 (low o/p current)	• Reverse voltage protection, LED o/p, High o/p current, Inverted o/p	• PNP + NPN Output	• 0.5A switching • Rugged Construction	• PNP + NPN Output • Rugged Construction	• Digital Output • Rugged Construction	• 0.5A switching • Rugged Construction	• PNP + NPN Output • Rugged Construction	• Digital Output • Rugged Construction	• 0.5A switching • Rugged Construction	• PNP + NPN Output • Rugged Construction	• Digital Output • Rugged Construction	• Gear Tooth sensor • Senses ferrous metal
Style	Rectangular						Threaded						
Type	PSS-S1-PA02	PSS-S3-P2A0	PSS 25S/30	PSSM 12S/30	PSSM 25S/30	PSSM 25D/30	PTSP 12S/30	PTSP 25S/30	PTSP 25D/30	PTS 12S/30	PTS 25S/30	PTS 25D/30	PGS 18/30
Suggested Magnet (see magnet catalogue)	MMPSM	PSSM	PSSM	PSMM	PSMM	PSMM	PTPM	PTPM	PTPM	PTSM	PTSM	PTSM	N/A
Sensor Type	GMR	GMR	Hall Effect	Hall Effect	Hall Effect	Hall Effect	Hall Effect	Hall Effect	Hall Effect	Hall Effect	Hall Effect	Hall Effect	Hall Effect
Supply Voltage VDC	5 - 24	5 - 24	5 - 24	5 - 24	5 - 24	5 - 24	5 - 24	5 - 24	5 - 24	5 - 24	5 - 24	5 - 24	5 - 24
Switching Voltage Max. VDC	30	35	25	25	25	5	5	25	5	5	25	5	25
Output Current Max. mA	20	2A	20	20	20	20	20	20	20	20	20	20	20
Output type	Open Collector	Open Drain	Open Collector	Open Collector	Open Collector	TTL Logic	TTL Logic	Open Collector	TTL Logic	TTL Logic	Open Collector	TTL Logic	Open Collector
Switching Distance Min. mm	25	25	8	8	8	8	8	10	10	8	10	10	3
Operating Temperature °C	-20 + 80	-20 + 80	-20 + 80	-20 + 80	-20 + 80	-20 + 80	-20 + 80	-20 + 80	-20 + 80	-20 + 80	-20 + 80	-20 + 80	-20 + 80
Case Material	Nylon 66	Nylon 66	Nylon 66	Aluminium	Aluminium	Aluminium	Acetal	Acetal	Acetal	Brass (Nickel Plated)	Brass (Nickel Plated)	Brass (Nickel Plated)	Brass (Nickel Plated)
Cable	3 x Round 0.14mm ² PVC covered Grey and insulated Brown / White	3 x Round 0.14mm ² PVC covered Grey and insulated Brown / White / Green	4 x Round 7/0.2mm ² screened and PVC insulated	3 x Round 0.14mm ² PVC covered Grey and insulated Brown / White / Green	4 x Round 7/0.2mm ² screened and PVC insulated	3 x Round 0.14mm ² PVC covered Grey and insulated Brown / White / Green	3 x Round 0.14mm ² PVC covered Grey and insulated Brown / White / Green	4 x Round 7/0.2mm ² screened and PVC insulated	3 x Round 0.14mm ² PVC covered Grey and insulated Brown / White / Green	3 x Round 0.14mm ² PVC covered Grey and insulated Brown / White / Green	4 x Round 7/0.2mm ² screened and PVC insulated	3 x Round 0.14mm ² PVC covered Grey and insulated Brown / White / Green	3 x Round 0.75mm ² Rubber covered Black and insulated Blue / Brown / Yellow (mains)

AWG to mm² Cross Reference table

AWG	mm ²
30	0.05
28	0.08
26	0.14
24	0.25
22	0.34
21	0.38
18	0.75
17	1.0
16	1.5
14	2.5
12	4
10	6
8	10
6	16
4	25
2	35
1	50
2/0	70
3/0	95
4/0	120
350MCM	150
350MCM	185
500MCM	240

